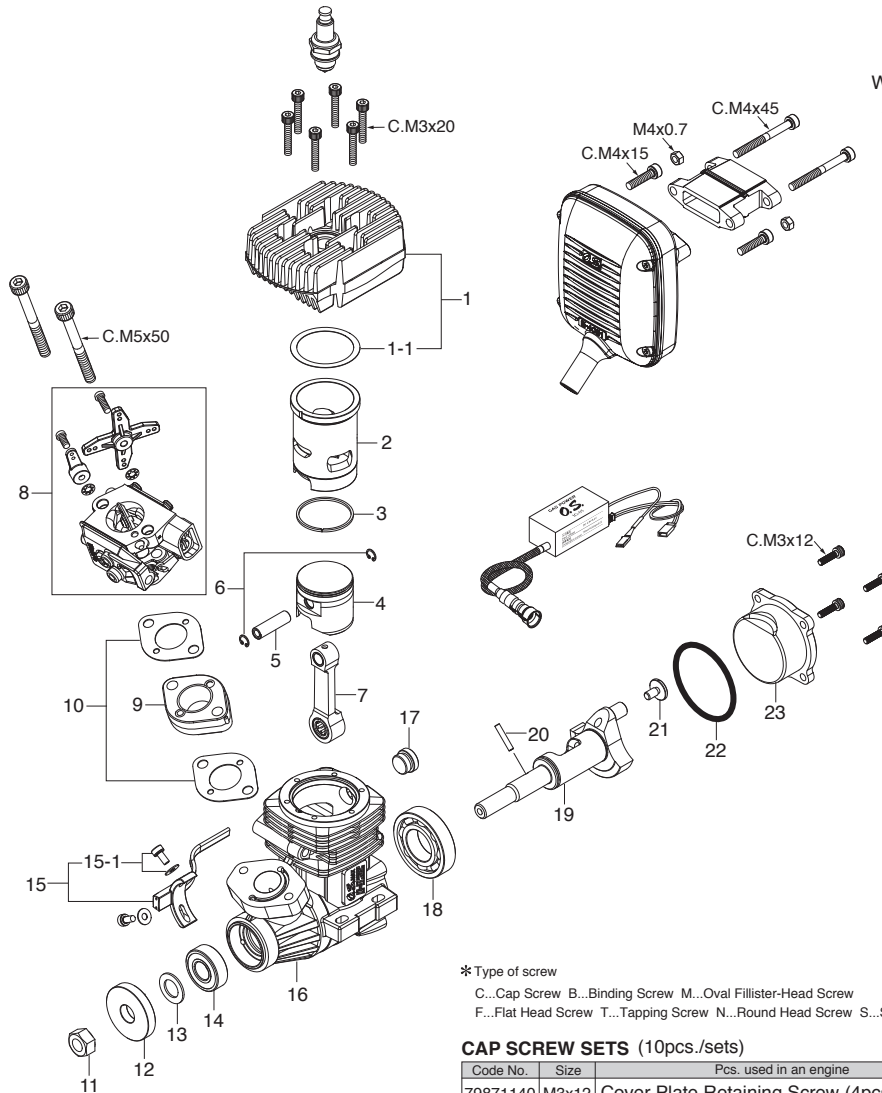


GT15HZ

W/O Silencer (38150)
 W/PowerBoost Pipe (38153)
 W/E-4051 Silencer (38154)



* Type of screw
 C...Cap Screw B...Binding Screw M...Oval Fillister-Head Screw
 F...Flat Head Screw T...Tapping Screw N...Round Head Screw S...Set Screw

CAP SCREW SETS (10pcs./sets)

Code No.	Size	Pcs. used in an engine
79871140	M3x12	Cover Plate Retaining Screw (4pcs.)
79871200	M3x20	Heatsink Head Retaining Screw (6pcs.)
79871550	M5x50	Caburetor Retaining Screw (2pcs.)

No.	Code No.	Description
1	28154000	Heatsink Head GT15HZ
1-1	29061406	Head Gasket (0.2mm) 91HZ
2	28153100	Cylinder Liner GT15HZ
3	28153400	Piston Ring GT15HZ
4	28153201	Piston GT15HZ
5	26606008	Piston Pin 91HZ,61SX-H,61FSR
6	28117020	Piston Pin Retainer GT15HZ
7	28155000	Connecting Rod GT15HZ
8	28181000	Carburetor Complete (WT-1067) GT15HZ
9	28169450	Thermo Insulator GT15HZ
10	49415000	Carburetor Gasket (2pcs.) GT15HZ
11	45010002	Propeller Nut (5/16-24) 61-91
12	28158000	Drive Hub GT15HZ
13	46120000	Thrust Washer 91FX,SX-H,SZ,FT160,FF
14	26731010	Ball Bearing (F) 120AX
15	74002320	Rotation Sensor GT33,GT22,GT60,GF30
15-1	74002321	Rotation Sensor Retaining Screw Set (2pcs.) GT33,22,60
16	28151000	Crankcase GT15HZ
17	28151300	Crankcase Plug GT15HZ
18	29030001	Ball Bearing (R) 61-91F,FX,FR
19	28152000	Crankshaft GT15HZ
20	44408100	Drive Pin FL70
21	28152100	Crank Pin Stop Screw GT22,GF30
22	27414020	Cover Gasket (S36) 75AX
23	28157000	Cover Plate GT15HZ

Code No.	Description
74002610	Ignition Module (IG-05) GT15HZ
29781375	Throttle Valve Lever Assembly (W/washer) GT15HZ
29781355	WLA-2 N4-40x9 Screw 96-603
29781360	WLA-2 Choke Valve Lever Assembly
29781350	WLA-2 N4-40x5 Screw 96-156
27426010	E-4051 Silencer Assembly GT15HZ
26625510	E-4011 Extension Adaptor
27426210	Silencer Retaining Screw Set E-4051 GT15HZ
72148000	Powerboost Pipe GT15HZ
29122520	Silencer Retaining Screw (L) C.M4x45 (2pcs.) E-5020
72145010	Exhaust Tube PBP90
72145020	Exhaust Gasket Set (2pcs.) 91HZ PBP90
71669010	Spark Plug CM-6 (Rcexl) GT15,22,33,55,60,GF40,GT15HZ,600