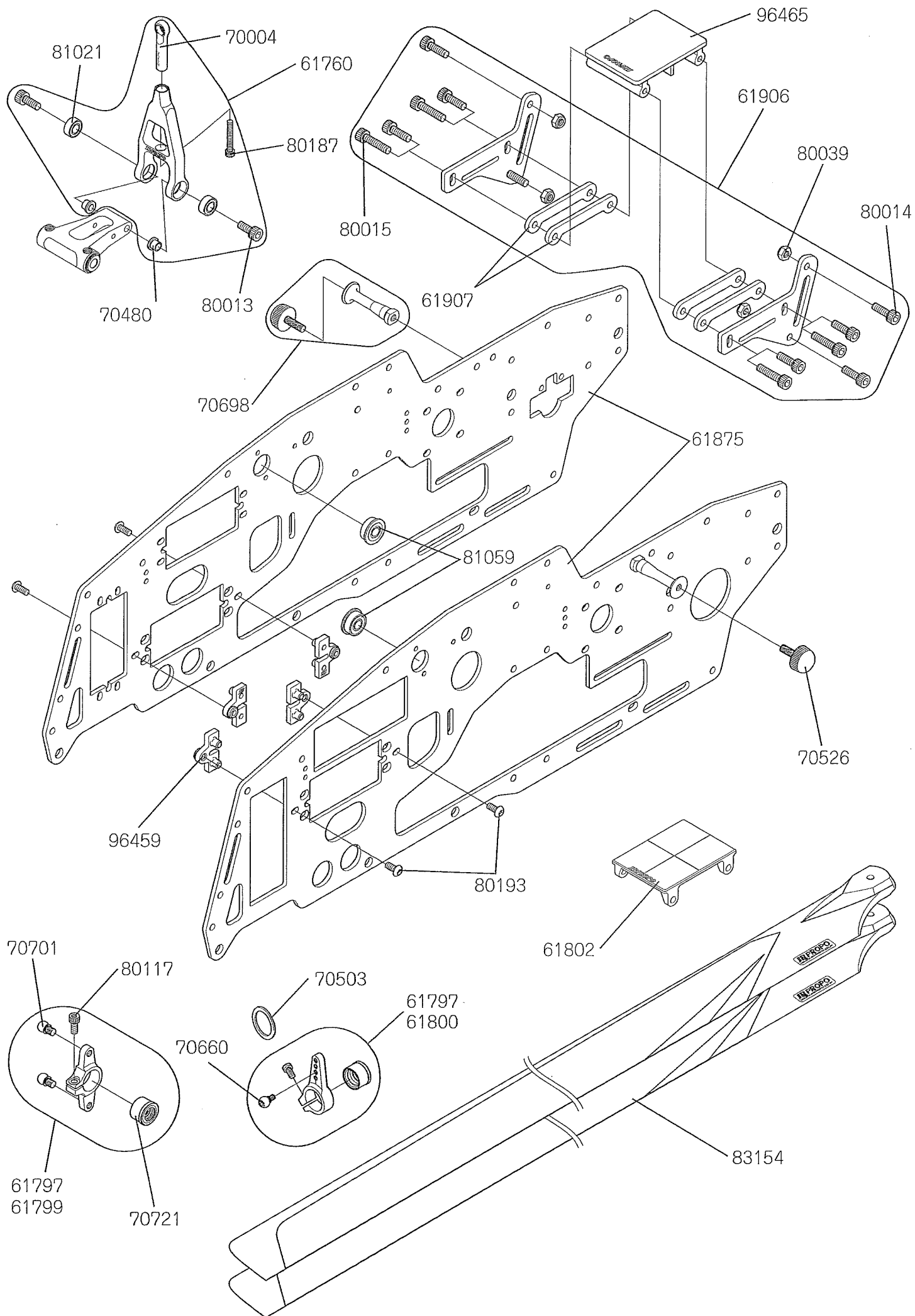
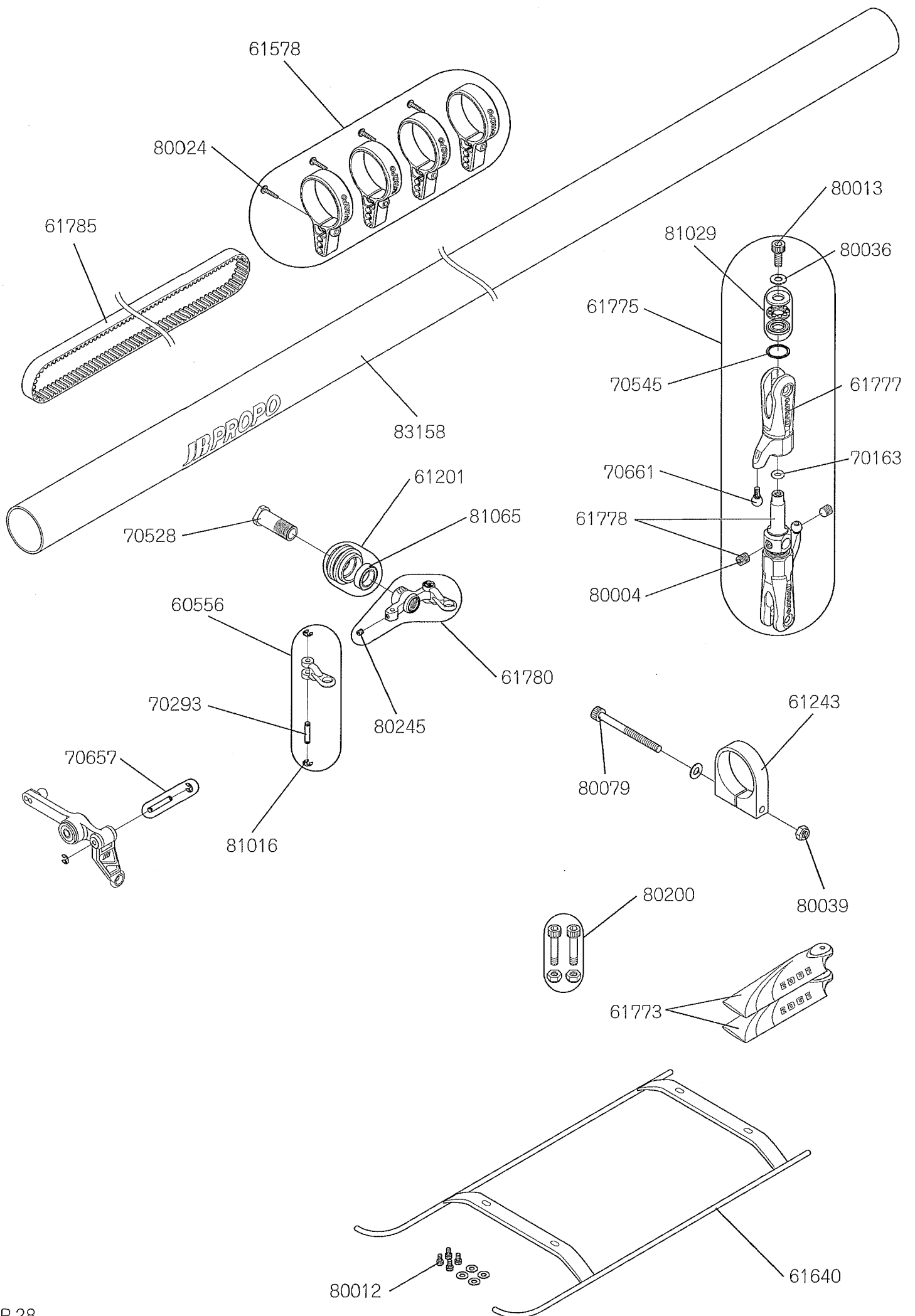


ITEM #	DESCRIPTION	QTY.	NOTE
61494	Spindle shaft (10 Φ)	× 1	w/Shaft tube,Washer,Bolts
61605	FBL Washout arm assembly	× 2	Collar : Red LF-730ZZ already installed
61745	Head button	× 1	w/Flat head bolt M3 × 8
61761	HG120° Swash plate Assembly ø 12	× 1	w/Control ball
61767	FBL Pitch arm (90)	× 1	w/Socket head bolt M3 × 6,M3 × 12
61783	Main blade holder assembly 90 (Logo print)	× 1	L-1790ZZ already installed
61804	FBL Center hub (90) V2	× 1	w/Rigid collar,O-ring,bolt (spindle not included)
61805	Upper plate lock base	× 1	
70004	Universal link	× 10	
70078	Jpint ball spacer t2.75	× 2	
70442	Thrust washer	× 2	
70590	Spindle shaft tube	× 1	
70591	Grip spacer set	× 2	w/Spindle shim washer
70620	Spindle washer M6	× 2	
70648	Washout link C	× 2	
70657	Washout link pin	× 2	
70718	HG Main blade bolt set M5 (black)	× 2	w/M5 × 30, Nylon lock nut
80012	Socket head bolt M3 × 6	× 10	
80015	Socket head bolt M3 × 12	× 10	
80095	Flat head bolt M3 × 8	× 10	
80115	Socket head bolt M2.6 × 8	× 10	
80164	Nylon lock nut M4 (t3.8)	× 10	
80181	Special socket head bolt M4 × 26	× 2	
80213	Button head bolt M6 × 10	× 10	
80219	Threaded M2.3 × 60 (ø 2.5)	× 2	
80248	Button head bolt M3 × 18	× 10	
81016	E stopper ring M1.5	× 10	
81023	Shielded bearing 9 × 17 × 5	× 2	L-1790ZZ
81024	Thrust bearing 9 × 17 × 5	× 1	SST-1790DSG
81041	Flanged bearing F 03 × 07 × 3	× 2	LF-730ZZ
96344	Damper rubber H90 (10 Φ)	× 2	
96452	Control ball L5.5	× 1	



ITEM #	DESCRIPTION	QTY	NOTE
61760	Metal A-Arm	× 1	For 1 set
61797	Adjustable Metal Horn Set V2	× 1	A/B Set Pitch:27
61799	Adjustable Metal Horn A V2	× 1	w/Control Ball2.5 · Metal Horn Inner
61800	Adjustable Metal Horn B V2	× 1	w/Joint Ball Screw L3 · Metal Horn Inner
61802	Metal gyro mount	× 1	
61875	SYE12 Carbon Upper Frame E V2	× 1	w/LF-1040ZZ · Servo Mount Plate · Button Head Screw
61884	B154 Battery Carbon Plate Duracon Cam Set	× 1	
61906	Carbon gyro mount plate	× 1	1 set
61907	Gyro frame spacer	× 2	
70004	Universal Link	× 10	
70480	Swash Link Collar	× 2	
70503	Thrust Washer L	× 2	
70526	Body mounting bolt	× 4	
70660	Joint Ball Screw L3	× 5	
70698	Body post L26	× 2	w/Body mounting screw
70701	Control Ball L2.5	× 1	
70721	Adjustable Metal Horn Inner V2	× 1	
80013	Socket head bolt M3 × 08	× 10	
80014	Socket head bolt M3 × 10	× 10	
80015	Socket head bolt M3 × 12	× 10	
80039	Nylon lock nut M3(t2.8)	× 10	
80117	Socket head bolt M2.6 × 6	× 10	
80187	Socket head bolt M2.3 × 15	× 5	
80193	Button head screw M2.5 × 6	× 2	
81021	Shilded Bearing 4 × 8 × 3	× 2	L-840ZZ
81059	Shilded Bearing F4 × 10 × 4	× 2	LF-1040ZZ
83154	Carbon Main Rotor Blades XB795-F3C	× 2	
96465	Gyro mount	× 1	
96459	Servo Mount Plate Set	× 1	Servo Mount Plate × 8 · servo Holding Plate × 10
B118-10500 For JR SYE12 BT One-touch System			Please purchase from Funtech



ITEM #	DESCRIPTION	QTY	NOTE
60556	Tail PC Link B	× 2	w/Link Pin · E Stopper Ring M1.5
61201	Tail Slide Ring	× 1	w/Shilded Bearing 7 × 11 × 3
61243	Tail Boom Support Clamp	× 1	
61578	Tail Rod Guide Set D	× 4	w/Self Tapping Screw M2 × 8
61640	Low-profile Duralumin Skid	× 1	w/Socket head bolt · Flat head screw
61773	Tail Rotor EDGE 115	× 1	
61775	HG Metal Tail Blade Holder ø 5	× 1	For 1 Set
61777	HG Metal Tail Blade Holder	× 1	Already Bearing Assembled w/Jointball Screw L4
61778	HG Tail Center Hub ø 5	× 1	w/Setscrew M4 × 4
61780	HG Metal Tail PC Plate	× 1	w/Setscrew M2 × 2 · Tail PC Link · Tail PC Link Pin
61785	Tail Drive Belt 2025J	× 1	
61819	Main Rotor Blade Case (700-810)	× 2	
61869	Main Rotor Blade Case (700-810) Spare	× 1	
70163	O-Ring 3.5 × 5.5 × 1	× 2	
70293	HG Tail PC Link Pin	× 2	
70528	Tail Slide Ring Sleeve	× 1	For ø 5
70545	Washer 8 × 10 × 0.5	× 2	Spindle Shim Washer
70657	Washout Link Pin (w/E Stopper Ring M1.5)	× 2	For 1 kit
70661	Jioint Ball Screw L4	× 5	
80004	Setscrew M4 × 4	× 10	
80012	Socket head bolt M3 × 6	× 10	
80013	Socket head bolt M3 × 8	× 10	
80024	Self Tapping Screw M2 × 8	× 10	
80036	Flat Washer M3	× 10	
80039	Nylon lock nut M3(t2.8)	× 10	
80079	Socket head bolt M3 × 35	× 10	
80200	Tail Drag Bolt Set	× 1	w/Socket Head Bolt M3 × 15 · Nylon lock nut
80245	Setscrew M2 × 2	× 5	w/HEX wrench 0.89
81016	E Stopper Ring M1.5	× 10	
81029	Thrust Bearing 5 × 10 × 4	× 2	T5-10
81065	Shilded Bearing 7 × 11 × 3	× 2	L-1170ZZ
83158	Carbon Tail Boom L937.5	× 1	