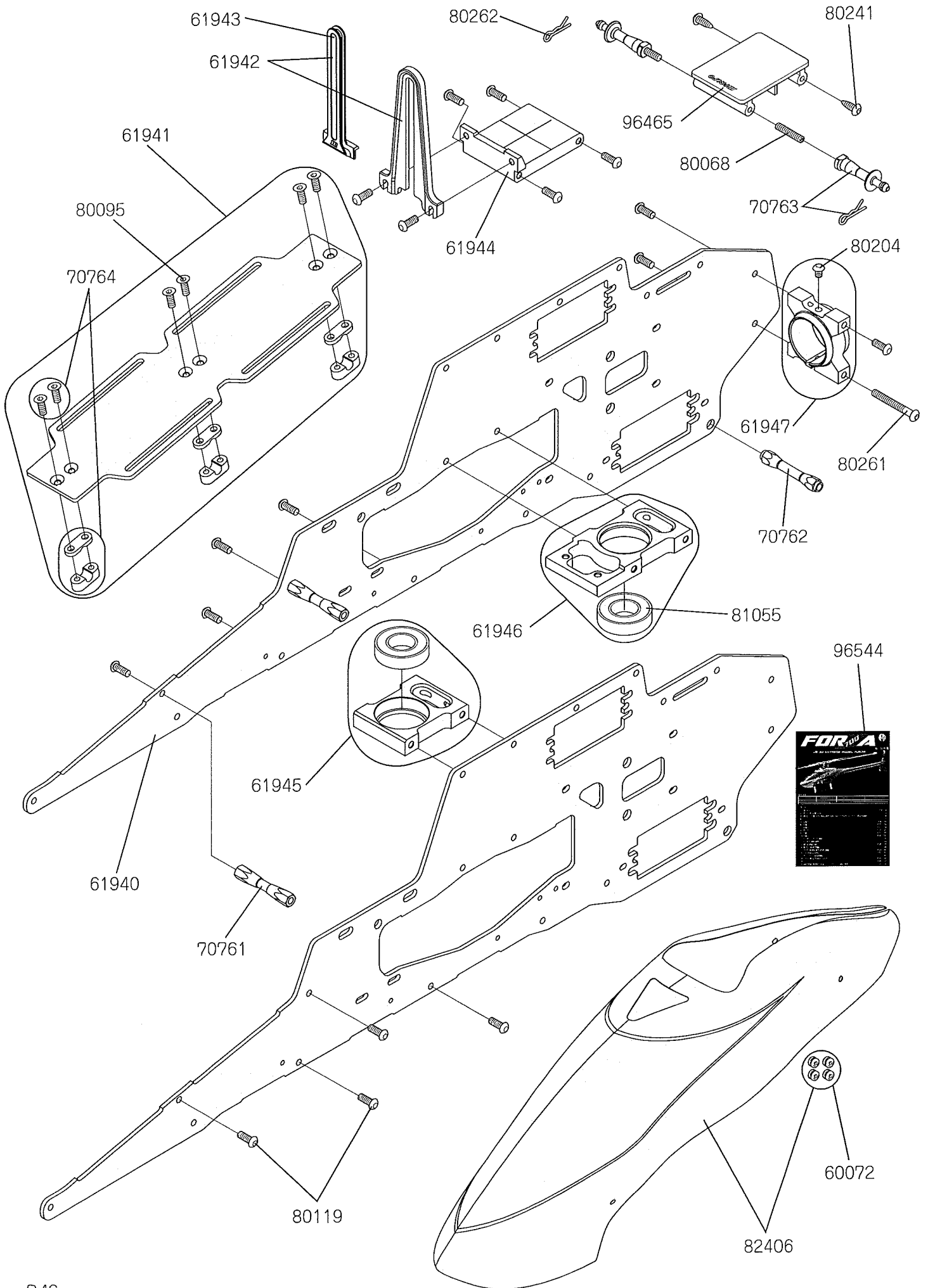


Item #	Description	Quantity	Note
05015	Super horn	5	
61933	Head button	1	w/Flat head bolt M3 × 8
61934	Center hub	1	w/Special socket head bolt, Socket head bolt, Washer, Nylon lock nut
61935	Main blade holder assembly	1	L-1910ZZ, SST-1810DSG already installed
61936	Pitch arm	1	w/Control ball L5.5, Socket head bolt
61937	Spindle shaft	1	w/Bolt, Washer
61938	FBL Washout arm assembly	1	LF-730ZZ already installed
61939	Servo mount	2	
70004	Universal link	10	
70010	Washout link	2	w/Washout link pin
70119	Spacer 3 × 5 × 1.8	2	
70620	Spindle washer M6	2	
70657	Washout link pin	2	w/E ring, For 1 kit
70661	Join ball screw L4	5	
70664	Washer 4 × 11 × 1.7	2	
70719	HG Main blade bolt set M5	2	Silver, w/Nylon lock nut
70758	Grip spacer	2	w/Shim washer
70759	Thrust washer	2	
70760	FBL universal link	4	
70776	Rotor spacer AL t3	4	Color : Silver
80012	Socket head bolt M3 × 6	10	
80013	Socket head bolt M3 × 8	10	
80015	Socket head bolt M3 × 12	10	
80037	Nut M2	10	
80067	Setscrew M3 × 3	10	
80075	Nylon lock nut M5	10	
80089	Socket head bolt M2.6 × 10	10	
80095	Flat head bolt M3 × 8	10	
80115	Socket head bolt M2.6 × 8	10	
80164	Nylon lock nut M4 (t3.8)	10	
80181	Special socket head bolt M4 × 26	2	
80193	Button head bolt M2.5 × 6	2	
80257	HEX Tapping screw M2.6 × 12	10	
80258	Threaded rod M2.3 × 30	2	
80259	FBL threaded rod L45	2	w/FBL universal link
80260	Button head bolt M3 × 20	10	
80264	Socket head bolt M6 × 10 (Low profile)	5	
81005	Shielded bearing 10 × 19 × 7	2	L-1910ZZ
81016	E Stopper ring M1.5	10	
81017	Thrust bearing 10 × 18 × 5.5	1	SST-1810DSG
81041	Flanged bearing F 3 × 7 × 3	2	LF-730ZZ
96344	Damper rubber 90 (10 ∅ )	2	
96452	Control ball L5.5	1	
96459	Servo mount plate set	1	Servo holding plate, Servo mount plate For 1 kit



Item #	Description	Quantity	Note
60072	Rubber grommet	4	
61940	Carbon upper frame	1	
61941	Carbon tray L	1	w/Tray bracket A/B, Flat head bolt M3 × 8
61942	Radius support	1	w/Radius support rail
61943	Radius support rail	1	
61944	Radius support bracket	1	
61945	Top bearing block assembly	1	6901ZZ already installed
61946	Middle bearing block assembly	1	6901ZZ already installed
61947	Metal tail boom holder	1	
70761	Cross member L32	2	
70762	Cross member w/Step L32	2	
70763	Body catch L21	2	w/Snap pin 4mm
70764	Tray bracket set	2	A/B w/Flat head bolt M3 × 8
80068	Setscrew M3 × 15	10	
80095	Flat head bolt M3 × 8	10	
80119	Button head bolt M3 × 8	10	
80204	Button head bolt M3 × 4	10	
80241	HEX Tapping screw (black) M3 × 8	10	
80261	Button head bolt M3 × 25	10	
80262	Snap pin 4mm	10	
81055	Shielded bearing 12 × 24 × 6	1	6901ZZ
82406	FRP front body	1	w/Rubber grommet
96465	Gyro mount	1	
96544	Assembly manual	1	

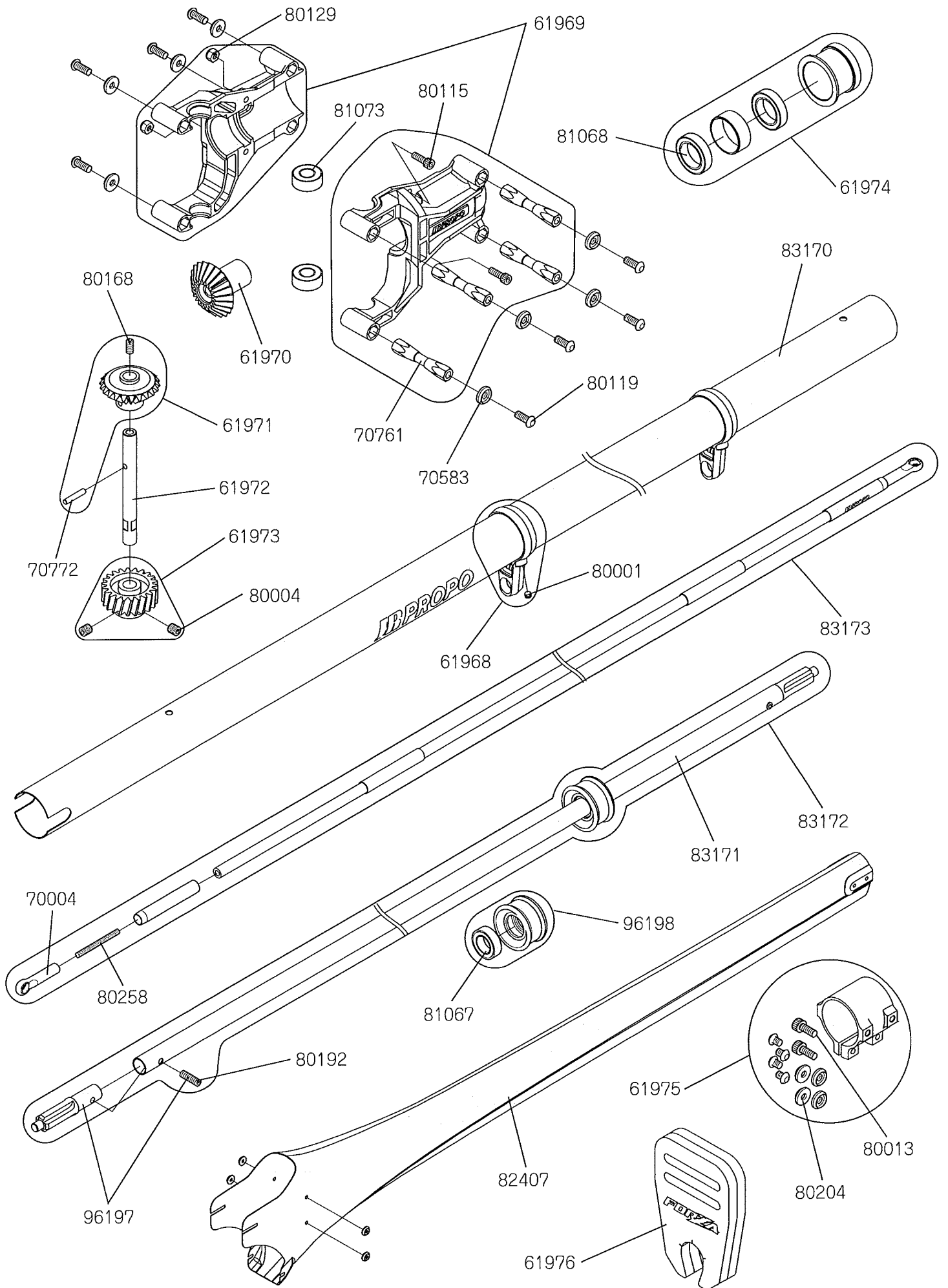


Item #	Description	Quantity	Note
61303	Hook and loop strap S	2	L : 200
61629	Hook and loop Fastener L60	2	
61675	Hook and loop strap	2	Black L : 260
61948	Carbon lower frame	1	
61949	Carbon tray S	1	
61950	Landing strut set	1	One set
61951	Landing strut	2	w/Setscrew M4 × 4
61952	Landing skid	2	w/Landing skid cap
70023	Landing skid cap	4	
70189	Cord holder	10	w/Flat washer M3
75059	Nylon strap S	10	
70763	Body catch L21	2	w/Snap pin 4mm
70765	Spacer L12	2	
70766	Spacer L11	2	
70767	Cross member L60 M2.6	2	
70768	Landing strut adapter	2	w/Socket head bolt M2.6 × 5
80004	Setscrew M4 × 4	10	
80013	Socket head bolt M3 × 8	10	
80014	Socket head bolt M3 × 10	10	
80227	Socket head bolt M2.6 × 5	10	
80260	Button head bolt M3 × 20	10	
80262	Snap pin 4mm	10	

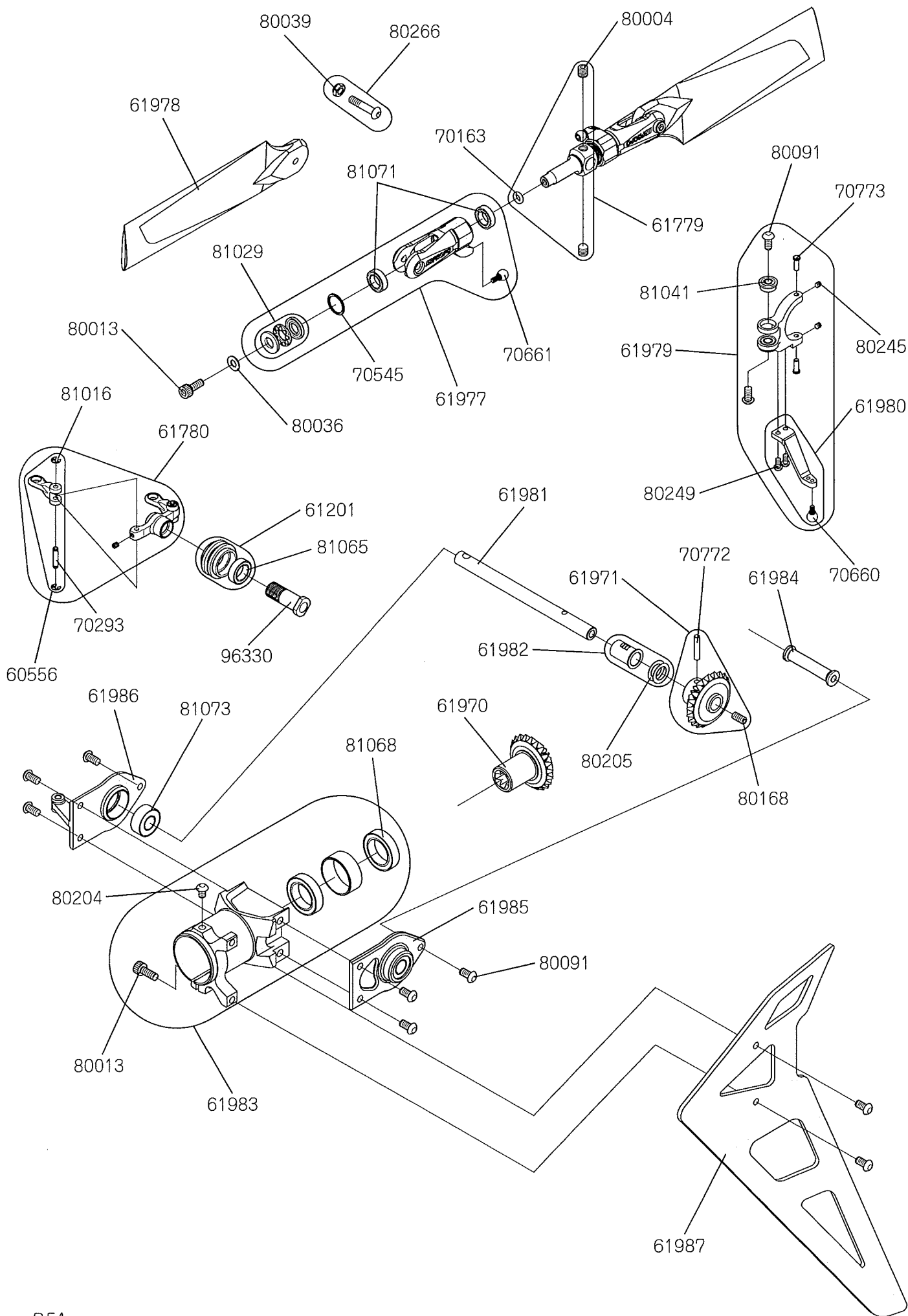


Item #	Description	Quantity	Note
61953	Motor mount	1	
61954	Pinion gear T11	1	w/Setscrew M4 × 4
61955	Pinion bearing block assembly	1	L-1910ZZ already installed
61956	Autrotation sleeve	1	
61957	Autrotation unit	1	Bearing already installed
61958	Main drive gear T112	1	
61959	Tail drive gear T104	1	
61960	Swash plate assembly	1	w/Control ball L5.5, Joint ball shaft
61961	Swash gauge	1	
61962	Main shaft	1	
61963	Carbon middle plate	1	
61964	Battery mount plate	1	w/hook
61965	Battery mount plate rail	2	w/Flat head bolt M2.5 × 6
61966	Middle cross member A	1	6901ZZ already installed
61967	Middle cross member B	1	
70572	Pinion nut M9	1	
70583	Special washer M3	10	
70631	Special washer M4	10	
70769	Joint ball shaft	1	
70770	Plate cross member	1	L32P20
70771	Battery plate hook	1	
70775	Shim washer 15 × 19 × 0.2	2	
80004	Setscrew M4 × 4	10	
80013	Socket head bolt M3 × 8	10	
80014	Socket head bolt M3 × 10	10	
80036	Flat washer M3	10	
80065	Flat head bolt M3 × 6	10	
80095	Flat head bolt M3 × 8	10	
80115	Socket head bolt M2.6 × 8	10	
80119	Button head bolt M3 × 8	10	
80164	Nylon lock nut M4 (t3.8)	10	
80181	Special socket head bolt M4 × 26	2	
80201	Button head bolt M4 × 8	10	
80263	Flat head bolt M2.5 × 6	10	
81005	Shielded bearing 10 × 19 × 7	2	L-1910ZZ
81055	Shielded bearing 12 × 24 × 6	1	6901ZZ
96292	Main shaft collar	1	w/Socket head bolt, Setscrew
96452	Control ball L5.5	1	



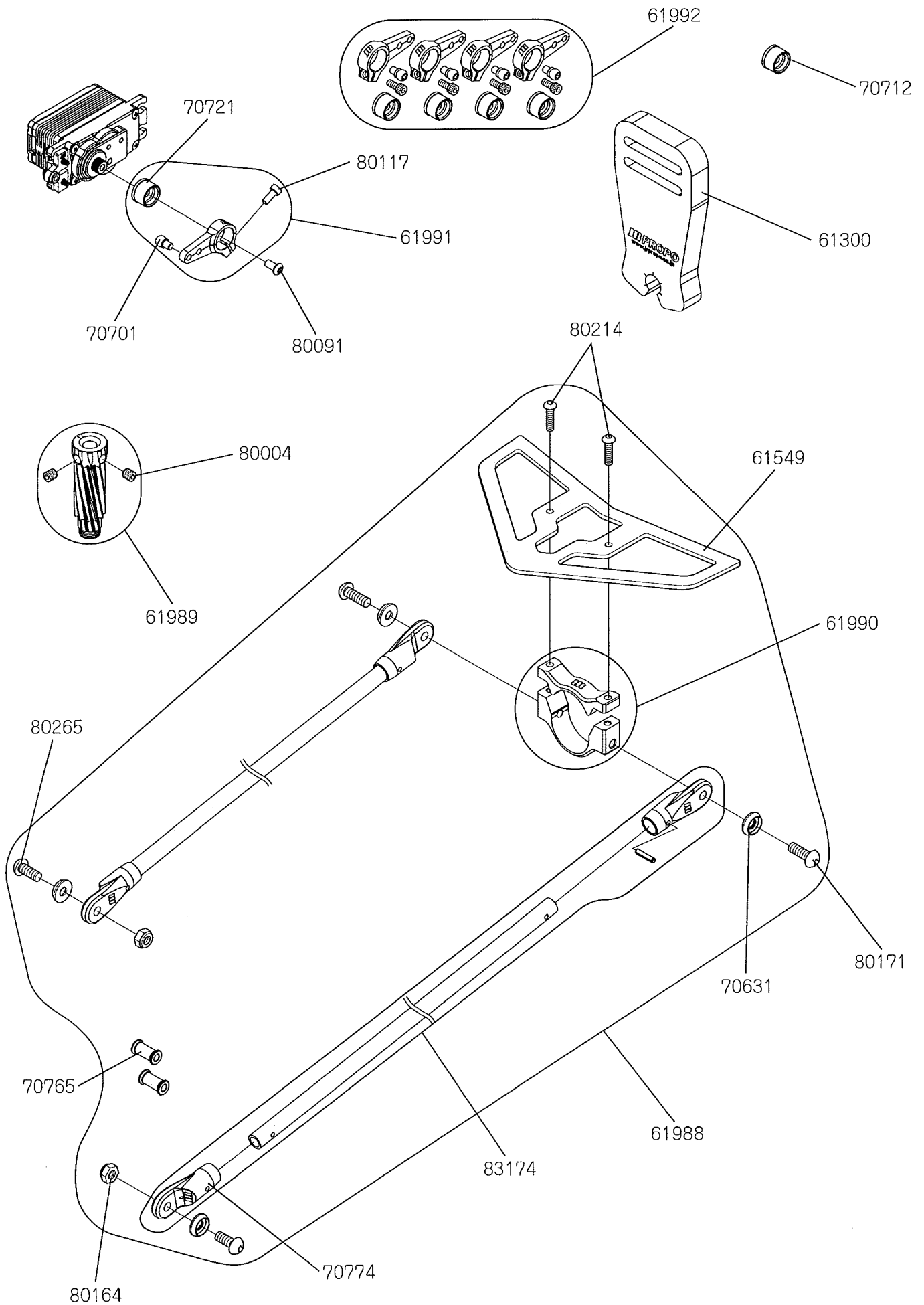


Item #	Description	Quantity	Note
61968	Tail control rod guide set	2	w/Setscrew M3 × 4
61969	Tail pinion unit set	1	One set
61970	Bevel gear A T22	2	
61971	Bevel gear B T22	2	w/Bevel gear pin, Setscrew M3 × 6
61972	Tail pinion shaft	1	
61973	Tail pinion gear T22	1	w/Setscrew M4 × 4
61974	Tail pinion unit bearing block assembly	1	Bearing already installed
61975	Rear body clamp	1	w/Socket head bolt, Button head bolt, Special washer
61976	Blade holder	1	for rear body
<hr/>			
70004	Universal link	10	
70583	Special washer M3	10	
70761	Cross member L32	2	
70772	Bevel gear pin Ø 2.3	2	
<hr/>			
80001	Setscrew M3 × 4	10	
80004	Setscrew M4 × 4	10	
80013	Socket head bolt M3 × 8	10	
80115	Socket head bolt M2.6 × 8	10	
80119	Button head bolt M3 × 8	10	
80129	Nylon lock nut M2.6	10	
80168	Setscrew M3 × 6	10	
80192	Setscrew M3 × 10	10	
80204	Button head bolt M3 × 4	10	
80258	Threaded rod M2.3 × 30	2	
81067	Shielded bearing 8 × 14 × 4	2	L-1480ZZ
81068	Shielded bearing 12 × 18 × 4	1	6701ZZ
81073	Shielded bearing 6 × 13 × 5	2	L-1360ZZ
82407	FRP rear body	1	
83170	Tail boom L813	1	
83171	Drive shaft	1	
83172	Drive shaft set	1	w/Shaft drive guide, Drive shaft joint
83173	Tail control rod L740	1	One set
<hr/>			
96197	Drive shaft joint	2	w/Setscrew M3 × 10
96198	Shaft drive guide	1	w/L-1480ZZ



Item #	Description	Quantity	Note
60556	Tail PC link B	2	w/Link pin, E stopper ring M1.5
61201	Tail slide ring	1	w/L-1170ZZ
61779	Tail center hub $\varnothing$ 6	1	w/Setscrew M4 $\times$ 4,O-ring
61780	HG metal tail PC plate	1	w/Setscrew M2 $\times$ 2,Link, Pin
61970	Bevel gear A T22	2	
61971	Bevel gear B T22	2	w/Bevel gear pin, Setscrew M3 $\times$ 6
61977	Metal tail blade holder assembly	1	Bearing already installed
61978	Carbon tail rotor blade	2	
61979	Tail pitch control lever set	1	A/B, Bearing already installed
61980	Tail pitch control lever	1	w/Joint ball screw L3
61981	Tail output shaft	1	
61982	Tail output shaft collar	1	w/Poly slider
61983	Tail gear case assembly	1	Bearing already installed
61984	Tail gear case cross member	1	Color : Silver
61985	Tail gear case plate L	1	L-1360ZZ already installed
61986	Tail gear case plate R	1	L-1360ZZ already installed
61987	Carbon vertical fin	1	
70163	O-ring 3.5 $\times$ 5.5 $\times$ 1	2	
70293	HG Tail PC link pin	2	
70545	Washer 8 $\times$ 10 $\times$ 0.5	2	
70660	Join ball screw L3	5	
70661	Join ball screw L4	5	
70772	Bevel gear pin $\varnothing$ 2.3	2	
70773	Tail PC lever pin	2	
80004	Setscrew M4 $\times$ 4	10	
80013	Socket head bolt M3 $\times$ 8	10	
80036	Flat washer M3	10	
80039	Nylon lock nut M3 (t2.8)	10	
80091	Button head bolt M3 $\times$ 6	10	
80168	Setscrew M3 $\times$ 6	10	
80204	Button head bolt M3 $\times$ 4	10	
80205	Poly slider 6 $\times$ 9.5 $\times$ 0.13	10	
80245	Setscrew M2 $\times$ 2	5	w/HEX wrench 0.89
80249	Button head bolt M2 $\times$ 5	10	
80266	Blade bolt set M3 $\times$ 15 (Silver)	1	Bolt $\times$ 2, Nylon lock nut $\times$ 2
81016	E Stopper ring M1.5	10	
81029	Thrust bearing 5 $\times$ 10 $\times$ 4	2	T5-10
81041	Flanged bearing F 3 $\times$ 7 $\times$ 3	2	LF-730ZZ
81065	Shielded bearing 7 $\times$ 11 $\times$ 3	2	L-1170ZZ
81068	Shielded bearing 12 $\times$ 18 $\times$ 4	1	6701ZZ
81071	Shielded bearing 6 $\times$ 10 $\times$ 3	2	L-1060ZZ
81073	Shielded bearing 6 $\times$ 13 $\times$ 5	2	L-1360ZZ
96330	Tail slide ring sleeve	1	

Optional parts - Not included in the kit



Item #	Description	Quantity	Note
61300	Blade holder	1	
61549	Carbon horizontal fin B	1	
61988	Standard boom brace set	1	One set
61989	Pinion gear T12	1	w/Setscrew M4 × 4
61990	Tail boom brace clamp	1	
61991	Adjustable metal horn D	1	w/Servo horn inner,Control ball
61992	Adjustable metal horn D × 4	1	w/Servo horn inner,Control ball 4pcs each
70631	Special washer M4	10	
70701	Control ball L2.5	1	
70712	Adjustable metal horn inner (Futaba type)	1	
70721	Adjustable metal horn inner V2	1	
70765	SpacerL12	2	
70774	Tail boom brace end	4	Spring pin M2 × 9
80004	Setscrew M4 × 4	10	
80091	Button head bolt M3 × 6	10	
80117	Socket head bolt M2.6 × 6	10	
80164	Nylon lock nut M4 (t3.8)	10	
80171	Button head bolt M4 × 10	10	
80214	Button head bolt M3 × 12	10	
80265	Button head bolt M4 × 12	10	
83174	Carbon tail boom brace	2	w/Tail boom brace end