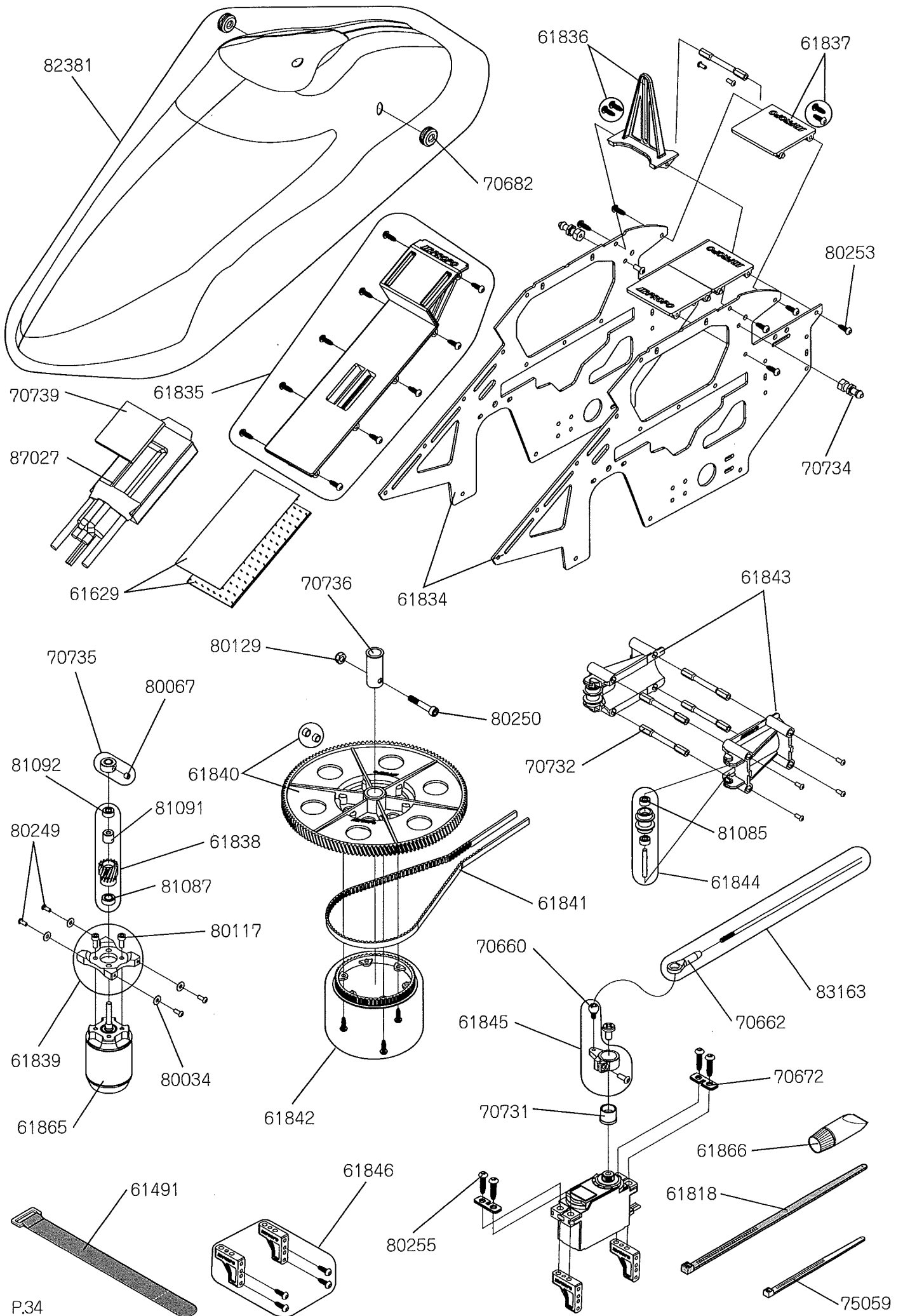
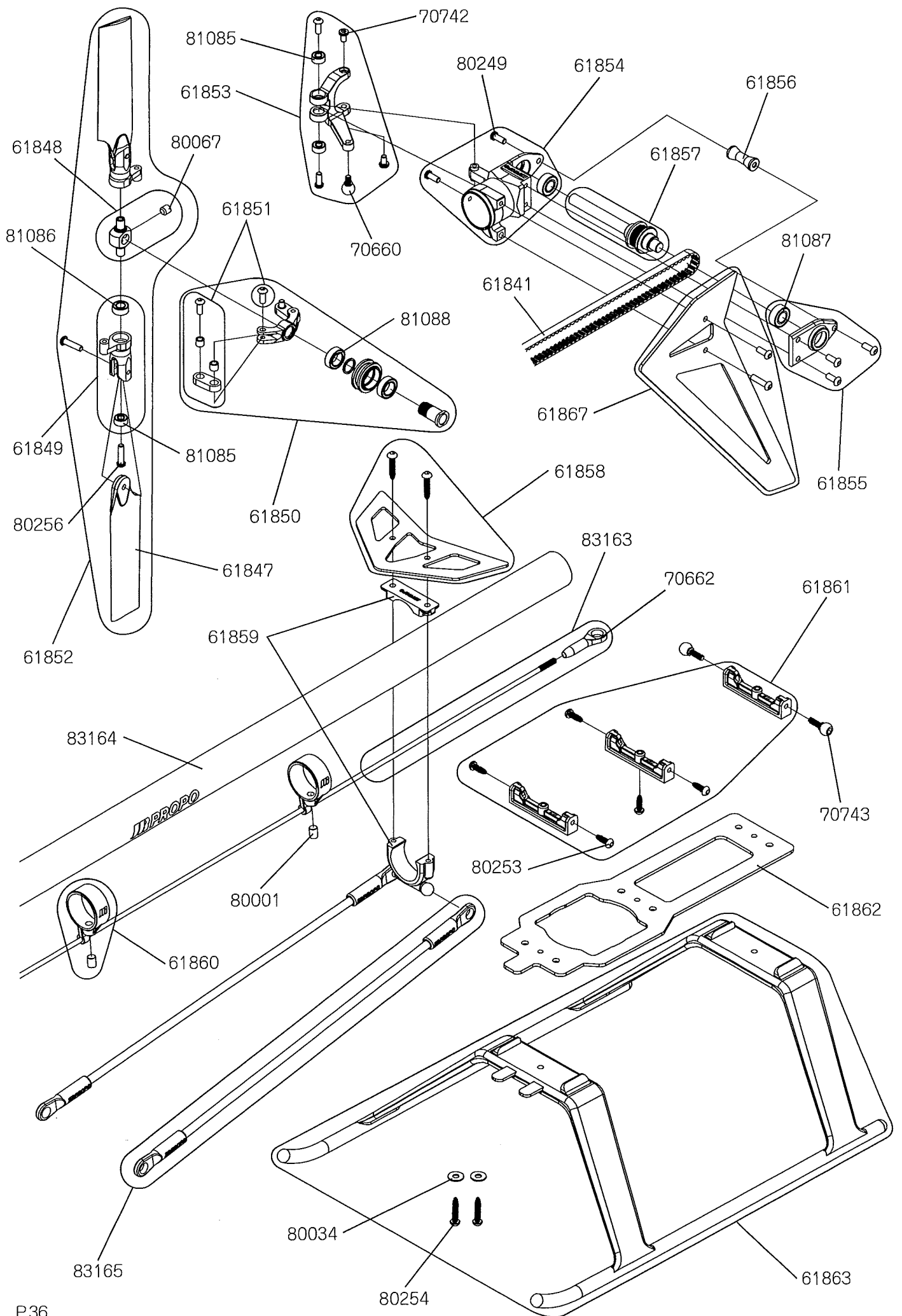


Item #	Description	Quantity	Note
61822	Head button	1	w/Button head bolt M2 × 5
61823	Center hub	1	w/Special socket head bolt M2.6 × 15, Nylon lock nut M2.6
61824	Main blade holder assembly	1	w/L-840ZZ, Thrust bearing 4 × 8 × 3.5, Washer 4 × 6 × 0.5
61825	Spindle shaft	1	w/Socket head bolt M2.6 × 6, Washer 2.6 × 6.5 × 0.8
61826	Pitch link set	1	w/Bearing, collar, bolt,rod, link for 1 kit
61827	Main shaft	1	
61828	Swashplate assembly	1	w/Joint ball screw L3, Joint ball shaft
61829	Servo mount U	1	w/L-1260ZZ, Cross-recessed head screw M2 × 4
61830	Servo mount L	1	w/L-1260ZZ, Cross-recessed head screw M2 × 4
61831	Blade holder	1	
61832	Metal servo horn L14	1	w/Joint ball screw L3, Button head bolt M2 × 5
61833	Swash gauge	1	
61864	Pitch link	2	w/Threaded rod M2 × 20, Universal link M2
70082	Washer 3 × 4.5 × 0.4	10	
70163	O-ring 3.5 × 5.5 × 1	2	
70660	Joint ball screw L3	5	
70662	Universal link M2	10	
70674	Washer 2.6 × 6.5 × 0.8	10	
70726	Rigid collar set	1	w/O-ring 3.5 × 5.5 × 1 for 1 kit
70728	Washer 4 × 6 × 0.5	2	
70730	Joint ball shaft	1	
70731	Servo horn inner J	1	
70732	Cross member L30	2	
70733	Main shaft collar	1	w/Setscrew M3 × 3
70744	Swash servo metal gear set (DS21)	1	2pcs (2 kinds)
80039	Nylon lock nut M3 (t2.8)	10	
80067	Setscrew M3 × 3	10	
80077	Cross-recessed head screw M2 × 4	10	
80091	Button head bolt M3 × 6	10	
80117	Socket head bolt M2.6 × 6	10	
80129	Nylon lock nut M2.6	10	
80249	Button head bolt M2 × 5	10	
80250	Special socket head bolt M2.6 × 15	5	
80251	Special button head bolt M3 × 15	5	
80252	Threaded rod M2 × 20	2	
80253	HEX tapping screw M2 × 6	10	
80254	HEX tapping screw M2 × 10	10	
81086	Shielded bearing 3 × 6 × 2.5-T	2	L-630ZZ
81087	Shielded bearing 4 × 8 × 3-T	2	L-840ZZ
81089	Shielded bearing 6 × 12 × 4-T	2	L-1260ZZ
81090	Thrust bearing 4 × 8 × 3.5-T	2	
83162	Carbon main rotor blade 325	2	
96541	Instructions (Forza 450)	1	



Item #	Description	Quantity	Note
61491	Hook and loop strap Black	2	L : 200
61629	Hook and loop fastener L60	2	
61818	Nylon strap BK 142 × 2.5	10	
61834	Carbon main frame	1	
61835	Battery mount	1	w/HEX tapping screw M2 × 6
61836	Radius support	1	w/HEX tapping screw M2 × 6
61837	Gyro mount	1	w/HEX tapping screw M2 × 6
61838	Pinion gear T15 assembly	1	w/L-840ZZ, HF-0306, L-730ZZ
61839	Motor mount	1	w/Socket head bolt M2.6 × 6
61840	Main gear T136	1	w/Collar 2.6 × 3.6 × 2
61841	Tail drive belt MXL498	1	
61842	Front pulley T60	1	w/HEX tapping screw M2 × 6
61843	Tail boom holder	2	
61844	Guide pulley	1	w/L-520ZZ, Guide pulley shaft
61845	Metal servo horn L10	1	Joint ball screw L3, Button head bolt M2 × 5
61846	Rudder servo mount	2	w/HEX tapping screw M2 × 6
61865	Motor NHM-30-6P	1	Kv : 3500
61866	Thread lock (weak)	1	Color : blue for micro screws, weak adhesion
70660	Joint ball screw L3	5	
70662	Universal link M2	10	
70672	Servo mount plate D	10	Color : red
70682	Rubber grommet	4	
70731	Servo horn inner J	1	
70732	Cross member L30	2	
70734	Body catch L7.25	2	
70735	Pinion stopper	1	w/Setscrew M3 × 3
70736	Main gear sleeve	1	
70739	Double sided tape 25 × 25	5	
75059	Nylon strap S	10	
80034	Flat washer M2	10	
80067	Setscrew M3 × 3	10	
80117	Socket head bolt M2.6 × 6	10	
80129	Nylon lock nut M2.6	10	
80249	Button head bolt M2 × 5	10	
80250	Special socket head bolt M2.6 × 15	5	
80253	HEX tapping screw M2 × 6	10	
80255	HEX tapping screw M2.6 × 10	10	
81085	Shielded bearing 2 × 5 × 2.3-T	2	L-520ZZ
81087	Shielded bearing 4 × 8 × 3-T	2	L-840ZZ
81091	One-way bearing 3 × 6.5 × 6-T	1	HF-0306
81092	Shielded bearing 3 × 7 × 3-T	2	L-730ZZ
82381	FRP body	1	w/Rubber grommet
83163	Tail control rod L408	1	w/Universal link M2
87027	ESC NHA-50-SB5	1	



Item #	Description	Quantity	Note
61841	Tail drive belt MXL498	1	
61847	Tail rotor blade	2	
61848	Tail center hub	1	w/Setscrew M3 × 3
61849	Tail blade holder assembly	1	L-520ZZ · L-630ZZ already assembled
61850	Tail slide ring assembly	1	whole set
61851	Tail link	2	w/Tail link collar, Button head bolt M2 × 5
61852	Tail blade holder assembly	1	whole set
61853	Tail pitch control lever	1	w/L-520ZZ, Joint ball screw L3, Slide ring pin, bolt
61854	Tail pulley base	1	w/L-840ZZ, Button head bolt M2 × 5
61855	Tail pulley plate	1	w/L-840ZZ, Button head bolt M2 × 5
61856	Tail cross member	1	
61857	Tail output shaft assembly	1	Tail pulley T14 already assembled
61858	Carbon horizontal fin	1	w/HEX tapping screw M2 × 10
61859	Tail boom brace clamp	1	U/L one each
61860	Tail rod guide	2	w/Setscrew M3 × 4
61861	Bottom plate adapter	3	w/HEX tapping screw M2 × 6
61862	Carbon bottom plate	1	
61863	Landing gear	1	w/HEX tapping screw M2 × 10, Flat washer
61867	Carbon vertical fin	1	w/Button head bolt M2 × 5, M2 × 8
70660	Joint ball screw L3	5	
70662	Universal link M2	10	
70742	Tail slide ring pin	2	
70743	Joint ball screw L6	2	
80001	Setscrew M3 × 4	10	
80034	Flat washer M2	10	
80067	Setscrew M3 × 3	10	
80249	Button head bolt M2 × 5	10	
80253	HEX tapping screw M2 × 6	10	
80254	HEX tapping screw M2 × 10	10	
80256	Button head bolt M2 × 8	10	
81085	Shielded bearing 2 × 5 × 2.3-T	2	L-520ZZ
81086	Shielded bearing 3 × 6 × 2.5-T	2	L-630ZZ
81087	Shielded bearing 4 × 8 × 3-T	2	L-840ZZ
81088	Shielded bearing 5 × 8 × 2.5-T	2	L-850ZZ
83163	Tail control rod L408	1	w/Universal link M2
83164	Tail boom L391	1	
83165	Tail boom brace	2	Tail boom brace end already assembled